

Best Price Performance and Cost of Ownership



The T6100 and T6101 deliver flawless operation under adverse conditions. Inventors of line matrix printing, Tally has equipped these printers with flexible configurations that adapt to different commercial or industrial applications: open pedestal, enclosed pedestal or quietized cabinet, with distinct advantages in print quality, speed and functionality.

Superior print quality is achieved by a special impact element that creates a uniform, solid dot image. Font styles, character sizes and print attributes can be mixed on a single line, and Tally's exclusive Read/Right bar code algorithm creates sharp bar codes with no loss of throughput.

For maximum speed and throughput, a controller featuring "Page Segment Architecture" intelligently arranges data into segments prior to printing. Text and graphics print in just one pass with no forms reversal.

The T6100 and T6101 were designed to produce time sensitive, large volume critical business documents at very low cost. Critical applications such as high quality multi-part printing on invoices, reports, special labels, or bar coded media are ideal tasks for these products.

With the exceptional price/performance of the T6100 pedestal model and the 49 dB(A) quiet operation of the T6101, these printers are ready to meet the toughest

- **Best price/performance in mid range; unlimited duty cycle**
- **PC/LAN compatible**
- **Quick-change, clean-hands ribbon cartridges**
- **Flash memory for easy program updates**
- **Straight paper path for excellent forms handling, up to 6-part forms**
- **Excellent connectivity options including Twinax/Coax, Ethernet, IPDS & IPDS over TCP/IP**
- **Stored-energy hammer bank technology for highest reliability**
- **Wide range of emulations and user-installable I/O modules with "hot" interfaces**
- **QMS® Code V™ and Printronix® Graphics Language (PGL) compatibility for industrial graphics and bar codes**

challenges for business today, tomorrow and well into the next century.

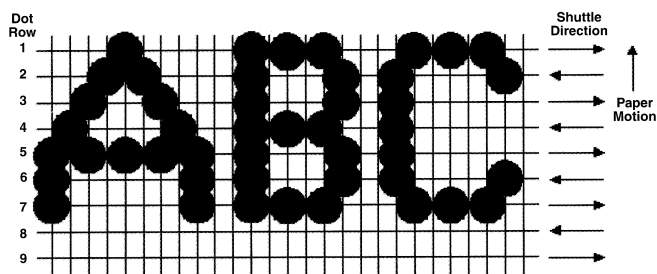
Moreover, Tally's line matrix technology and long standing reputation within large commercial and industrial enterprises provides a solid foundation of reliability.

Tally®
Computer Printers

FEDERAL, STATE & LOCAL GOVERNMENT	MANUFACTURING, TRANSPORTATION/DISTRIBUTION	DIRECT MAIL/SERVICE BUREAUS
<ul style="list-style-type: none"> • ISO 9001 certified • Print tax forms, payroll checks, inventory reports and invoices • Energy Star compliant 	<ul style="list-style-type: none"> • Print pick lists, shipping labels and freight bills • Excellent readability on all industry-standard bar codes • Jam-free operation • Operates in harsh environments • Handles inventory labels and heavy stock 	<ul style="list-style-type: none"> • USPS POSTNET bar code certified • Ideal for long, unattended print runs • Rugged design, high speed, high workload

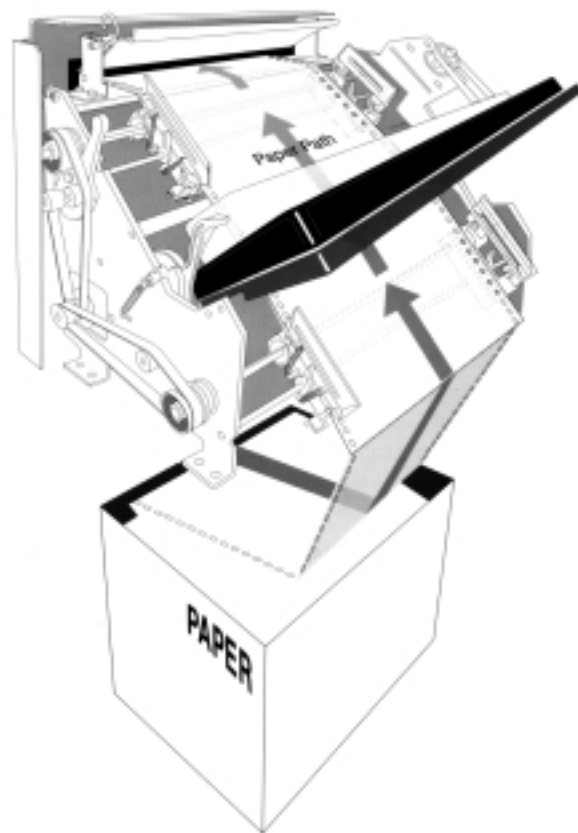
Line Impact Dot Matrix Technology

This printing technology provides a distinctive combination of advantages: line printer reliability and durability coupled with dot matrix printer flexibility and functionality. Unrestricted by the limitations of fully formed line printer technology, line matrix printers can intermix font styles, character sizes and print attributes on a single line.



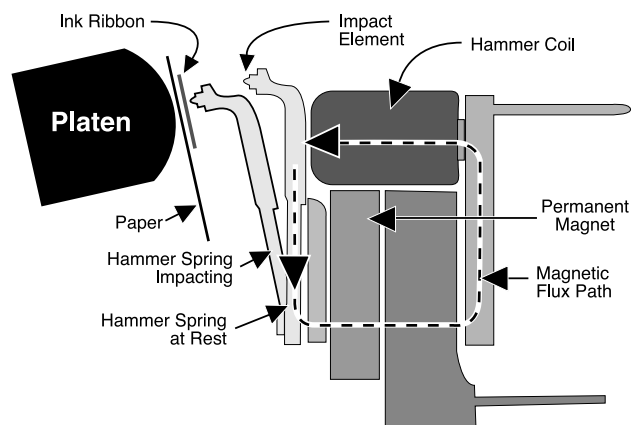
Enhanced Forms Handling

T6100/T6101 handle up to 6-part forms from 2.5" to 17.25" wide. Two sets of tractors above and below the print station, a straight paper path, a new platen position sensor, a new high torque paper drive system all combine to provide high slew speeds. The T6100/T6101 provide added forms handling convenience. These two models contain a Quick Forms Access Feature as well as a hinged, self-closing upper paper guide for easy forms loading.

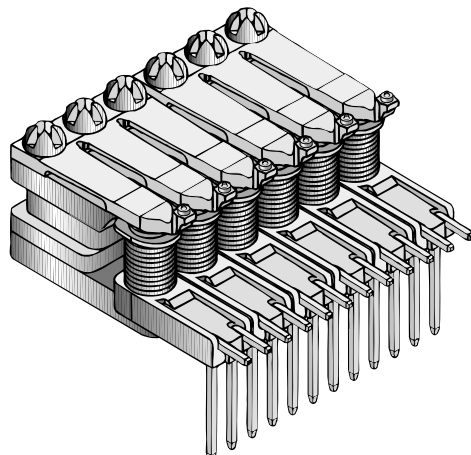


Stored Energy Hammer Bank Technology

The stored energy hammer bank uses a robust hammer and low-voltage coil. It is inherently reliable and energy efficient, ideal for heavy multi-part forms.



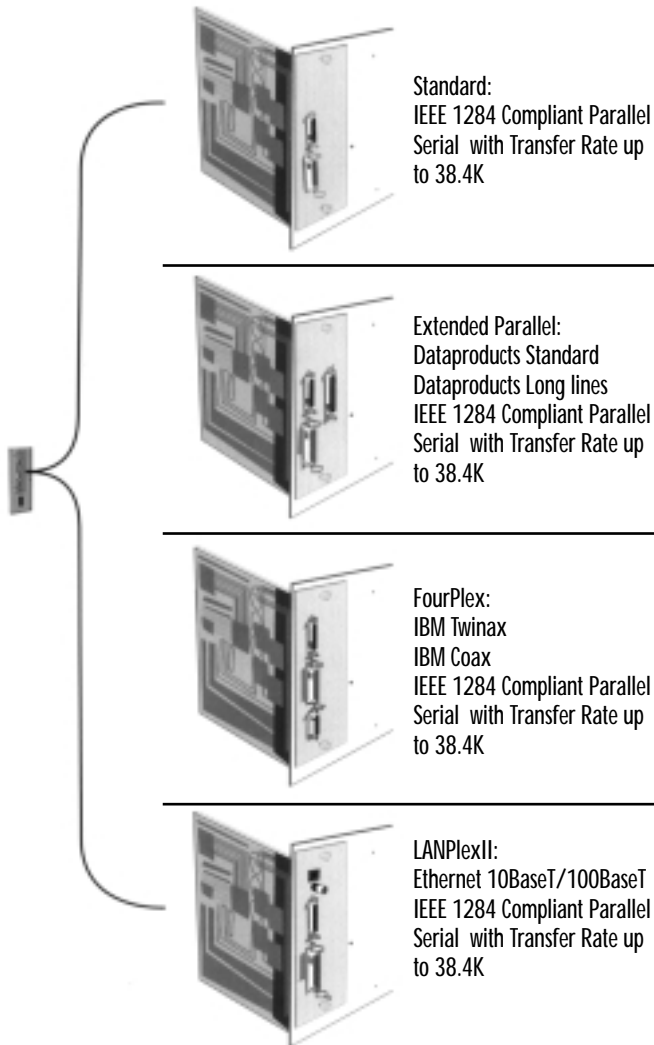
Tally line printers serve an unlimited useful life. At those times hammer bank maintenance is required, replacement hammer/coils come in convenient "six packs" for minimal impact to the budget or production down time.



Unsurpassed Compatibility and Connectivity

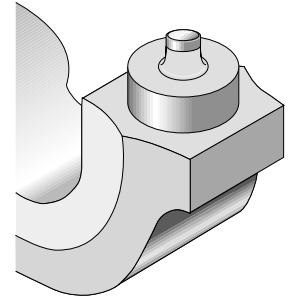
The T6100/T6101 are the most adaptable line printers on the market. In addition to the standard configuration of serial and parallel connectivity, this family also provides optional FourPlex, FourPlex IPDS, LANPlexII, LANPlexII IPDS, and Extended Parallel interfaces. All I/O ports are user installable – a Tally exclusive – and all are HOT!

And these line printers are fluent in twelve popular emulations for various LAN and IBM® environments.



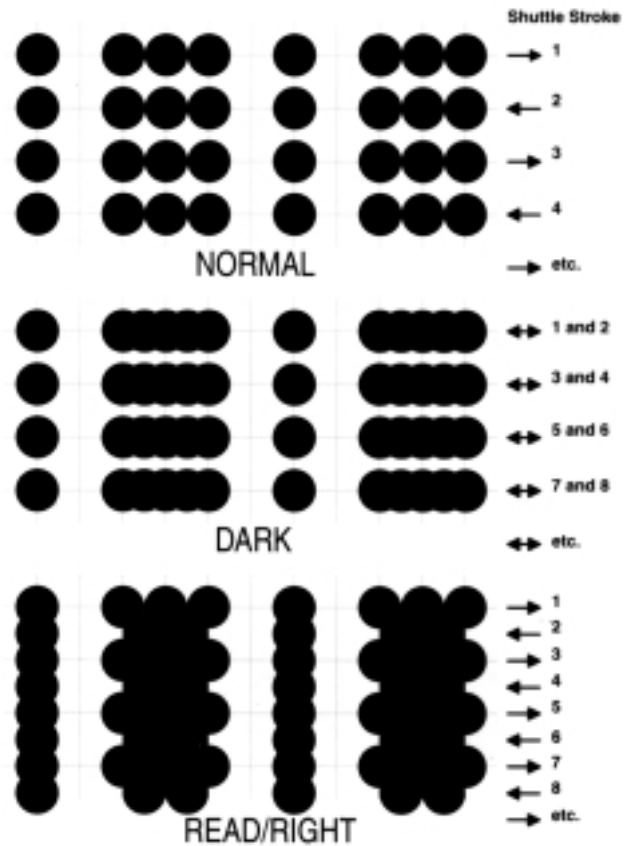
Injection-Molded Impact Element

Tally's proprietary injection molded impact element is designed to create uniform solid dots for high quality text and graphics.



Standard vs. Read/Right Bar Code Algorithms

Through Tally's exclusive Read/Right algorithm, bar code dot placement is optimized for both print speed and quality.



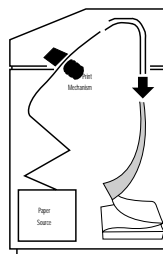
Best Price Performance and Cost of Ownership

Features & Specifications	T6100/T6101
Print Technology	Line impact dot matrix
Print Speed	Text: 1020 lines per minute (max.), graphics: 100 inches per minute (max.)
Workload	180,000 pages per month
Acoustic Level	T6100: Open pedestal, 60 dB(A); Enclosed pedestal, 55 dB(A) T6101: Cabinet, 49 dB(A)
Character Printing Modes	Constant density fonts; enhanced fonts
Character Sets	27 unique character sets with 35 language substitutions
Characters Per Inch	5, 6, 6.7, 7.5, 8.3, 8.6, 10, 12, 13.3, 15, 16.7, 17.1, 20 cpi
Lines Per Inch	1.5, 2, 3, 4, 5, 6, 8, 9, 10 & 12 (plus variable line spacing)
Fonts	Draft, Data Processing, Courier, Gothic, OCR A & B
Character Styles	Bold, italic, superscript, subscript, underline, overline, strikethrough
Graphics Resolution	Maximum: 240 x 288 (H x V)
Graphics Compatibility	Tally Industrial Graphics; QMS® CODE V™ Version 2; Printronix® PGL
Bar Codes	Code 39, Code 128, Interleaved 2 of 5, UPC-A, UPC-E, EAN 8, EAN 13, EAN 128, Codabar, Identicon 2 of 5, MSI, POSTNET
Control Panel	Alphanumeric display (six languages) provides complete access to printer operation, configuration, calibration and test features. Includes lockout feature
Paper Handling	Straight paper path, four tractor system, quick access feature (T6100) – easy access to forms and labels, paper out and paper motion detection, forms position retained in non-volatile memory
Print Media	Up to 6-part forms, forms thickness maximum .025", weight: 15-100 lb. stock
Paper Sizes	Width: 2.5" – 17.25", forms length: 1 – 255 lines
Paper Advance	Slew Speed: 20 inches per second (max.)
Standard Interfaces	Serial RS232 (up to 38.4K Baud) and IEEE 1284 Compliant Centronics Parallel (both ports hot, and active port selected automatically)
Standard Emulations	MTPL, Printronix® P600 and P6000, HP 2564C, DEC® LG01, Epson® FX100, Genicom® ANSI & IBM® Proprinter III XL
Ribbon	Easy-load, clean-hands cartridges 25, 50 & 150 million characters
Physical (H x W x D)	T6100: Enclosed pedestal, 40.6" x 31.5" x 33.4", 142 lbs.; Open pedestal, 41.5" x 31.5" x 29", 124 lbs. T6101: Cabinet, 42" x 32" x 28", 265 lbs.
Power Requirements	90 - 130/180 - 264 V, 57 - 63/47 - 53 Hz (auto-ranging)
Environmental	Temperature range: 10°C to 40°C (operating); -40°C to 66°C (non-operating) Humidity: 10% to 90% non-condensing (operating); 5% to 95% non-condensing (non-operating)
Optional Interfaces	FourPlex I/O: Twinax, Coax, Serial and Parallel, IPDS for FourPlex LANPlex II I/O: Ethernet (10BaseT/100BaseT), Serial and Parallel, IPDS for LANPlex Extended Parallel I/O: Dataproducts Standard, Dataproducts Long Lines; FourPlex and LANPlex also available as factory configured models



3/00. Specifications subject to change without further notice, all product and brand names are trademarks of the respective companies.

Tally Printer Outlet
1-866-430-6202



Paper Path



T6100 Open Pedestal



T6100 Enclosed Pedestal



T6101 Quietized Cabinet

Tally®
Computer Printers

Tally Printer Outlet.Com
1-866-430-6202

Fax for a Quick Quote
817-430-6250

Choose Model:

T6100

Organization _____

Name _____

Phone (_____) _____ Fax Number (_____) _____

E-Mail _____

Address _____

City _____ State _____ Zip _____

Please indicate your specifications or requirements:

Additional Comments:
